

PVI PA040XS1 TFT-LCD DRIVING BOARD

1. FEATURE:

FOR TFT-LCD PANEL: PVI 4" PA040XS1

VIDEO INPUT COMPATIBLE WITH PAL AND NTSC SYSTEM OR SEPARATE VIDEO SIGNAL.

OPERATING TEMPERATURE: 0°C~60°C

STORAGE TEMPERATURE: -20°C~80°C

2. ELECTRICAL CHARACTERISTICS :(CN2)

Pin	Symbol	I/O	Conditions	Min	Typ	Max	Unit
5	Video	I	PAL or NTSC		1		V
1	V in	I	DC(+)	10	12	13	V
	I in				450		mA
	P in				5.4		W
6	Vo	O	DC(+)		5		V
	b				20		mA
7	Brightness	I	DC(+)	1.5	1.66	2.0	V
8	Contrast	I	DC(+)	1.8	2.3	2.8	V
9	Color	I	DC(+)	2.8	3.2	3.6	V
10	Tint	I	DC(+)	3.0	3.15	3.3	V

3. INPUT/OUTPUT TERMINAL PORTS:

CONNECT TO EXTERNAL INPUT SIGNAL (CN2)

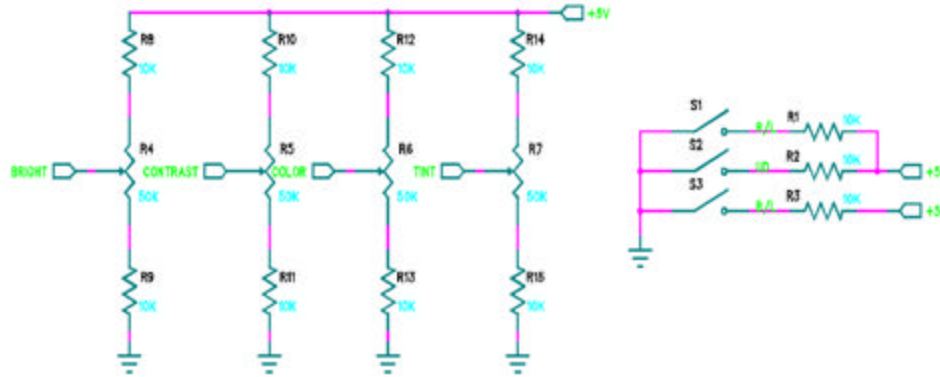
CONNECTOR: MOLEX 53398-1410 or Compatibility

No.	Pin Name	I/O	Pin description	Remark
1	Vin	I	+12V power input	
2	Gnd	I	Power ground	
3	Gnd	I	Power ground	
4	Gnd	I	Video signal ground	
5	Video/Y	I	Composite video signal input	NOTE 1
6	+5V	O	For pin7/8/9/10 control purpose	NOTE 2
7	Brightness	I	Brightness control voltage input	NOTE 2
8	Contrast	I	Contrast control voltage input	NOTE 2
9	Color	I	Color control voltage input	NOTE 2
10	Tint/C	I	Tint control voltage input	NOTE 2
11	N.C.	NC	No connection	
12	R/L	I	Picture left/right inverse control	NOTE 3
13	U/D	I	Picture up/down inverse control	NOTE 4
14	Dimmer	I	Power On/Off control	NOTE 5

NOTE1: If you want to support S-Video(Y & C) signal input, the following operation you need:

- Open R59 (1K ohm Resistor)
- Solder RB1 (75 ohm Resistor)
- Open RB2 (0 ohm Resistor)
- Solder C64 (0.1 uF Capacitor)

NOTE 2: Application Circuit



NOTE 3: R/L = Hi (+5V) for shift right, Low (GND) for shift left

NOTE 4: U/D = Hi (+5V) for down, Low (GND) for up

NOTE 5: PIN 14 = High (**Vmin=4.5V, Vmax=5.5V**) Power is ON

PIN 14 = Low (**Vmin=0V, Vmax=0.5V**) Power is OFF

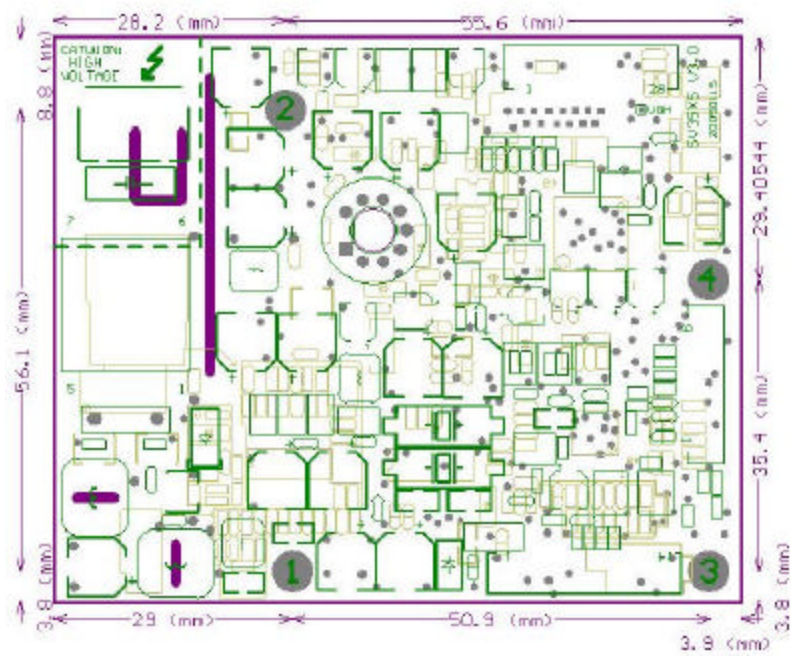
CONNECT TO EXTERNAL INPUT SIGNAL (CN3)

CONNECTOR: MOLEX 53398-0910 or Compatibility

No.	Pin Name	I/O	Pin description	Remark
1	Rin	I	Rin	
2	Gin	I	Gin	
3	Bin	I	Bin	
4	SW	I	Switch(Video/R.G.B Select)	NOTE 6
5	SYNC in	I	SYNC in	
6	SYNC out	O	SYNC out	
7	/HSYNC out	O	/HSYNC out	
8	/VSYNC out	O	/VSYNC out	
9	Gnd	I	Ground	

Note 6: Video =Low, High (+5V) for R.G.B input

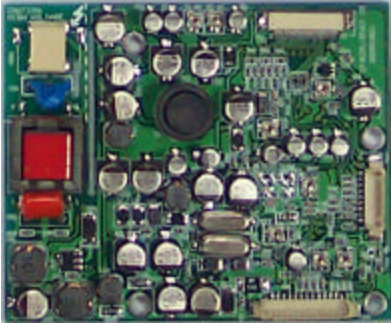

4. DRIVER BOARD OUTLINE DRAWING:



Description:

- Outline: 84.0*68.6*12.0mm
- Top Layer High (Max): 8.5mm
- Board thickness: 1.6mm
- Bottom Layer High (Max): 1.5mm
- 4 Screws: M2.2mm

5. ITEM LIST:

DRIVER BOARD	ECA14200 CABLE FOR BOARD
	

6. MODULE PHOTO:

