

TECHNICAL SPECIFICATION

MODEL NO : PW062XS3

Customer's Confirmation

Customer _____

By _____

PVI's Confirmation

TECHNICAL SPECIFICATION***CONTENTS***

<i>NO.</i>	<i>ITEM</i>	<i>PAGE</i>
-	Cover	1
-	Contents	2
1	Application	3
2	Features	3
3	Mechanical Specifications	3
4	Mechanical Drawing of TFT-LCD module	4
5	Input / Output Terminals	5
6	Pixel Arrangement	6
7	Absolute Maximum Ratings	7
8	Electrical Characteristics	7
9	Power Sequence	17
10	Optical Characteristics	17
11	Handling Cautions	21
12	Reliability Test	22
13	Block Diagram	23
14	Packing	24

1. Application

This technical specification applies to 6.2" color TFT-LCD module, PW062XS3

The applications of the panel are car TV, portable DVD, GPS, multimedia applications and others AV system.

2. Features

- . Amorphous silicon TFT-LCD panel with Back-Light unit.

- . Pixel in stripe configuration

- . Compatible with NTSC and PAL system

- . Slim and compact

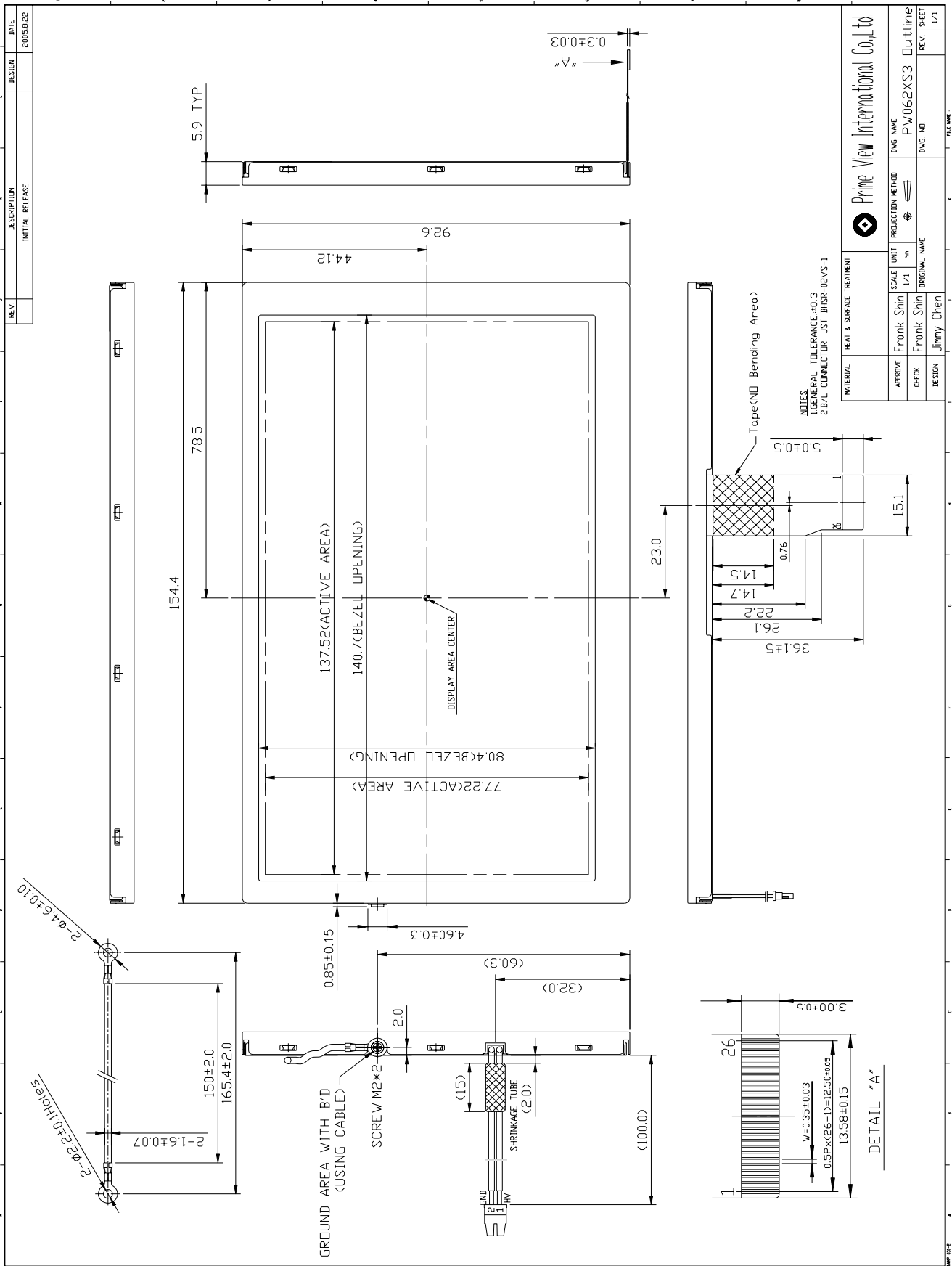
- . Up / Down and Left / Right Image Reversion

- . Support multi display mode
(If you use this mode, you must use PVI-1004D's timing controller (made by PVI))

3. Mechanical Specifications

Parameter	Specifications	Unit
Screen Size	6.2 (diagonal)	Inch
Display Format	480X(R,G,B) X 234	Dot
Active Area	137.52 (H)×77.22 (V)	mm
Pixel Pitch	0.342(H)×0.33 (V)	mm
Pixel Configuration	Stripe	
Outline Dimension	154.4 (W)×92.6 (H)×5.90 (D)	mm
Weight	136±10	g
Back-light	CCFL.1 tube	
Surface Treatment	Anti-Glare	
Display mode	Normally white	

4. Mechanical Drawing of TFT-LCD Module



5.Input / Output Terminals

LCD Module Connector

FPC Down Connect , 26 Pins , Pitch : 0.5 mm

Pin No	Symbol	I/O	Description	Remark
1	GND	-	Ground for logic circuit	
2	V _{CC}	I	Supply voltage of logic control circuit for scan driver	
3	V _{GL}		Negative power for scan driver	
4	V _{GH}	I	Positive power for scan driver	
5	STVD	I/O	Vertical start pulse	Note 5-1
6	STVU	I/O	Vertical start pulse	Note 5-1
7	CKV	I	Shift clock for scan driver	
8	U/D	I	Up / Down scan control input	Note 5-1
9	OEV	I	Output enable control for scan driver	
10	V _{COM}	I	Common electrode driving signal	Note 5-8
11	V _{COM}	I	Common electrode driving signal	
12	L/R	I	Left / Right control	Note 5-2
13	MOD	I	Sequential sampling and simultaneous sampling setting	
14	OEH	I	Output enable control for data driver	
15	STHL	I/O	Start pulse for horizontal scan line	Note 5-2
16	STHR	I/O	Start pulse for horizontal scan line	Note 5-2
17	CPH3	I	Sampling and shifting clock for data driver	
18	CPH2	I	Sampling and shifting clock for data driver	
19	CPH1	I	Sampling and shifting clock for data driver	
20	V _{DD1}	I	Supply voltage of logic control circuit for data driver	
21	GND	-	Ground for logic circuit	
22	VR	I	Alternated video signal (Red)	
23	VG	I	Alternated video signal (Green)	
24	VB	I	Alternated video signal (Blue)	
25	V _{DD2}	I	Supply voltage for analog circuit	
26	AV _{SS}	I	Ground for analog circuit	

Note 5-1

U/D	STVD	STVU	scanning direction
V _{cc}	Input	output	down to up
GND	Output	input	up to down

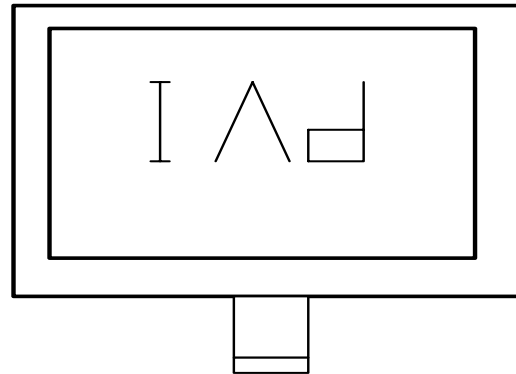
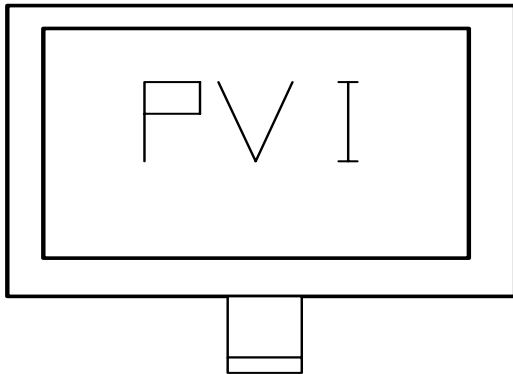
Note 5-2

R/L	STHL	STHR	scanning direction
V _{DD1}	Input	output	left to right
GND	Output	input	right to left

The definitions of Note 5-1,5-2

U/D(PIN 8)=Low R/L(PIN 12)=High

U/D(PIN 8)=High R/L(PIN 12)=Low



Note 5-3 : V_{CC} TYP. = +3.3V

Note 5-4 : V_{GL} TYP. = -12V

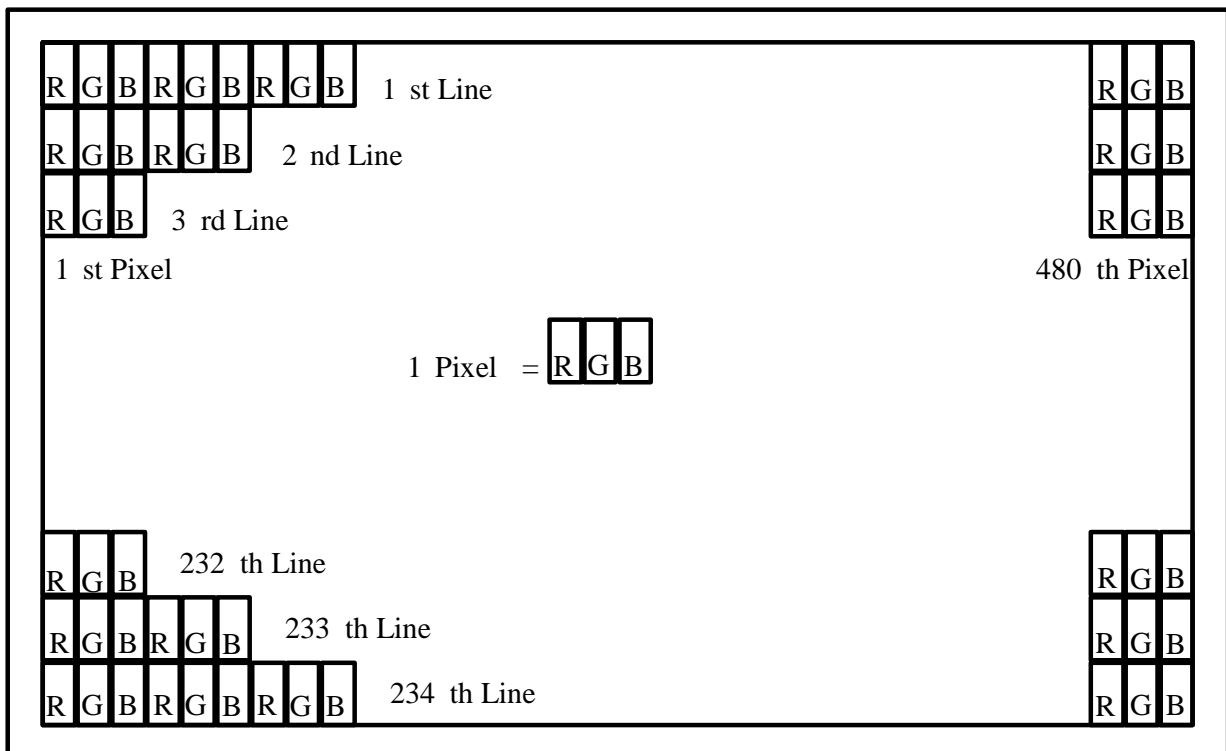
Note 5-5 : V_{GH} TYP. = +17V

Note 5-6 : V_{DD2} TYP. = +5V

Note 5-7 : V_{DD1} TYP. = +3.3V

Note 5-8: V_{COM} TYP. = 6 V_{P-P}

6. Pixel Arrangement



7. Absolute Maximum Ratings

The followings are maximum values , which if exceeded, may cause faulty operation or damage to the unit.

Parameter	Symbol	MIN.	MAX.	Unit	Remark
Supply Voltage For Source Driver	V_{DD1}	-0.3	+5.8	V	
	V_{DD2}	-0.3	+7.0	V	
Supply Voltage For Gate Driver	V_{CC}	-0.3	+6.0	V	
	$V_{GH}-V_{GL}$	-0.3	+40.0	V	
	H Level V_{GH}	-0.3	+25.0	V	
	L Level V_{GL}	-16	+0.3	V	

8. Electrical Characteristics

8-1) Recommended Driving condition for TFT-LCD panel

Parameter		Symbol	MIN.	Typ.	MAX.	Unit	Remark
Supply Voltage For Source Driver	Analog	V_{DD2}	+4.5	+5.0	+5.5	V	Depend on T/C signal voltage
	Logic	V_{DD1}	+3.0	+3.3	+3.6	V	
Supply Voltage For Gate Driver		V_{GH}	+15	+17	+19	V	
		V_{GLDC}	-13.0	-12	-11	V	DC Component of V_{GL}
		V_{GLAC}		+6.0		V_{P-P}	AC Component of V_{GL}
	Logic	V_{CC}	+3.0	+3.3	+3.6	V	Depend on T/C signal voltage
Analog Signal input Level (V_R, V_G, V_B)		V_{iAC}	---	+3.6	+4.0	V	
		V_{iDC}	---	2.5	-	V	
Digital input voltage	H level	V_{IH}	$0.7 V_{DD1}$	---	V_{DD1}	V	
	L level	V_{IL}	-0.3	---	$0.3 V_{DD1}$	V	
Digital output voltage	H level	V_{OH}	$0.7 V_{DD1}$	---	V_{DD1}	V	
	L level	V_{OL}	-0.3	---	$0.3 V_{DD1}$	V	
V_{COM} Voltage		V_{COMAC}	---	+6.0	---	V_{P-P}	AC Component of V_{COM}
		V_{COMDC}	---	1.5	---	V	DC Component of V_{COM} Note 8-1

Note 8-1 : PVI strongly suggests that the V_{COMDC} level shall be adjustable , and the adjustable level range is $1.5V \pm 1V$, every module's V_{COMDC} level shall be carefully adjusted to show a best image performance.

8-2) Recommended driving condition for back light

Parameter	Symbol	Min.	Typ.	Max.	Unit	Remark
Lamp voltage	V_L	500	550	600	V _{rms}	$I_L=6mA$
Lamp current	I_L	3	6	8	MA	Note 8-2
Lamp frequency	P_L	30	43	80	KHz	Note 8-3
Starting voltage (25 °C) (Reference Voltage)	V_s	-	720	830	V _{rms}	Note 8-4

Note 8-2 : In order to satisfy the quality of B/L , no matter use what kind of inverter , the output lamp current must between Min. and Max. to avoid the abnormal display image caused by B/L.

Note 8-3 : The waveform of lamp driving voltage should be as closed to a perfect sine wave as possible.

Note 8-4 : The "Max of kick off voltage" means the minimum voltage of inverter to turn on the CCFL. and it should be applied to the lamp for more than 1 second to start up. Otherwise the lamp may not be turned on.

8-3)Back Light driving

Back Light Connector : JST BHSR-02VS-1, Pin No. : 2 , Pitch : 3.5 mm

Pin No	Symbol	Description	Remark
1	VL1	Input terminal (Hi voltage side)	
2	VL2	Input terminal (Low voltage side)	Note 8-5

Note 8-5 : Low voltage side of back light inverter connects with Ground of inverter circuits.

8-4) Power Consumption

T_a= 25

Parameter	Symbol	Conditions	TYP.	MAX	Unit	Remark
Supply current for Gate Driver (Hi level)	I_{GH}	$V_{GH} = +17V$	0.09	0.11	mA	
Supply current for Gate Driver (Low level)	I_{GL}	$V_{GL} = -12V$	1.11	1.13	mA	V_{EE} center voltage
Supply current for Source Driver(Digital)	I_{DD1}	$V_{DD1} = +3.3V$	5.0	8.0	mA	
Supply current for Source Driver(Analog)	I_{DD2}	$V_{DD2} = +5.0V$	5.0	8.0	mA	
Supply current for Gate Driver (Digital)	I_{CC}	$V_{CC} = +3.3V$	0.02	0.026	mA	
LCD Panel Power Consumption		-	65	99	mW	Note 8-6
Back Light Lamp Power Consumption		-	3.30	-	W	Note 8-7

Note 8-6 : The power consumption for back light is not included

Note 8-7 : Back light lamp power consumption is calculated by $I_L \times V_L$.

8-5) Timing Characteristics Of Input Signals

Characteristics	Symbol	Min.	Typ.	Max.	Unit	Remark
Rising time	t_r	-	-	10	ns	
Falling time	t_f	-	-	10	ns	
High and low level pulse width	t_{CPH}	9.2	9.6	10.0	MHZ	CPH1~CPH3
CPH pulse duty	t_{CWH}	30	50	70	%	CPH1~CPH3
STH setup time	t_{SUH}	20	-	-	ns	STHR,STHL
STH hold time	t_{HDH}	20	-	-	ns	STHR,STHL
STH pulse width	t_{STH}	-	1	-	t_{CPH}	STHR,STHL
STH period	t_H	61.5	63.5	65.5	μs	STHR,STHL
OEH pulse width	t_{OEH}	-	1.40	-	μs	OEH
Sample and hold disable time	t_{DIS1}	-	7.43	-	μs	
OEV pulse width	t_{OEV}	-	18	-	μs	OEV
CKV pulse width	t_{CKV}	-	31.75	-	μs	CKV
Clean enable time	t_{DIS2}	-	9.0	-	μs	
Horizontal display start	t_{SH}	-	0	-	$t_{CPH}/3$	
Horizontal display timing range	t_{DH}	-	480	-	$t_{CPH}/3$	
STV setup time	t_{SUV}	400	-	-	ns	STVU,STVD
STV hold time	t_{HDV}	400	-	-	ns	STVU,STVD
STV pulse width	t_{STV}	-	-	1	t_H	STVU,STVD
Horizontal lines per field	t_V	256	262	268	t_H	
Vertical display start	t_{SV}	-	3	-	t_H	
Vertical display timing range	t_{DV}	-	234	-	t_H	
VCOM rising time	t_{COM}	-	-	5	μs	
VCOM falling time	t_{COM}	-	-	5	μs	
VCOM delay time	t_{DCOM}	-	-	3	μs	
RGB delay time	t_{DRGB}	-	-	1	μs	

8-6) Signal Timing Waveforms

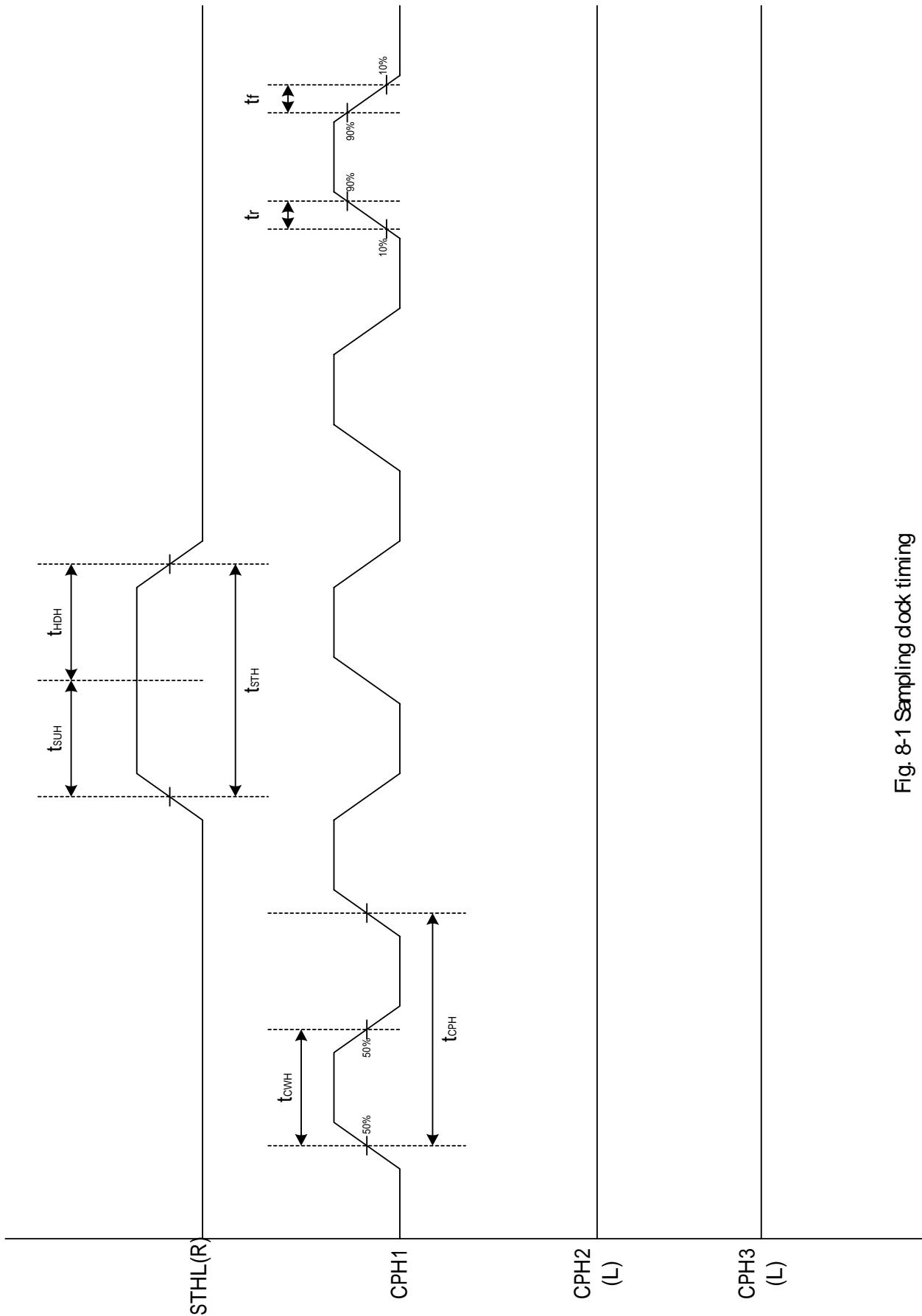


Fig. 8-1 Sampling clock timing

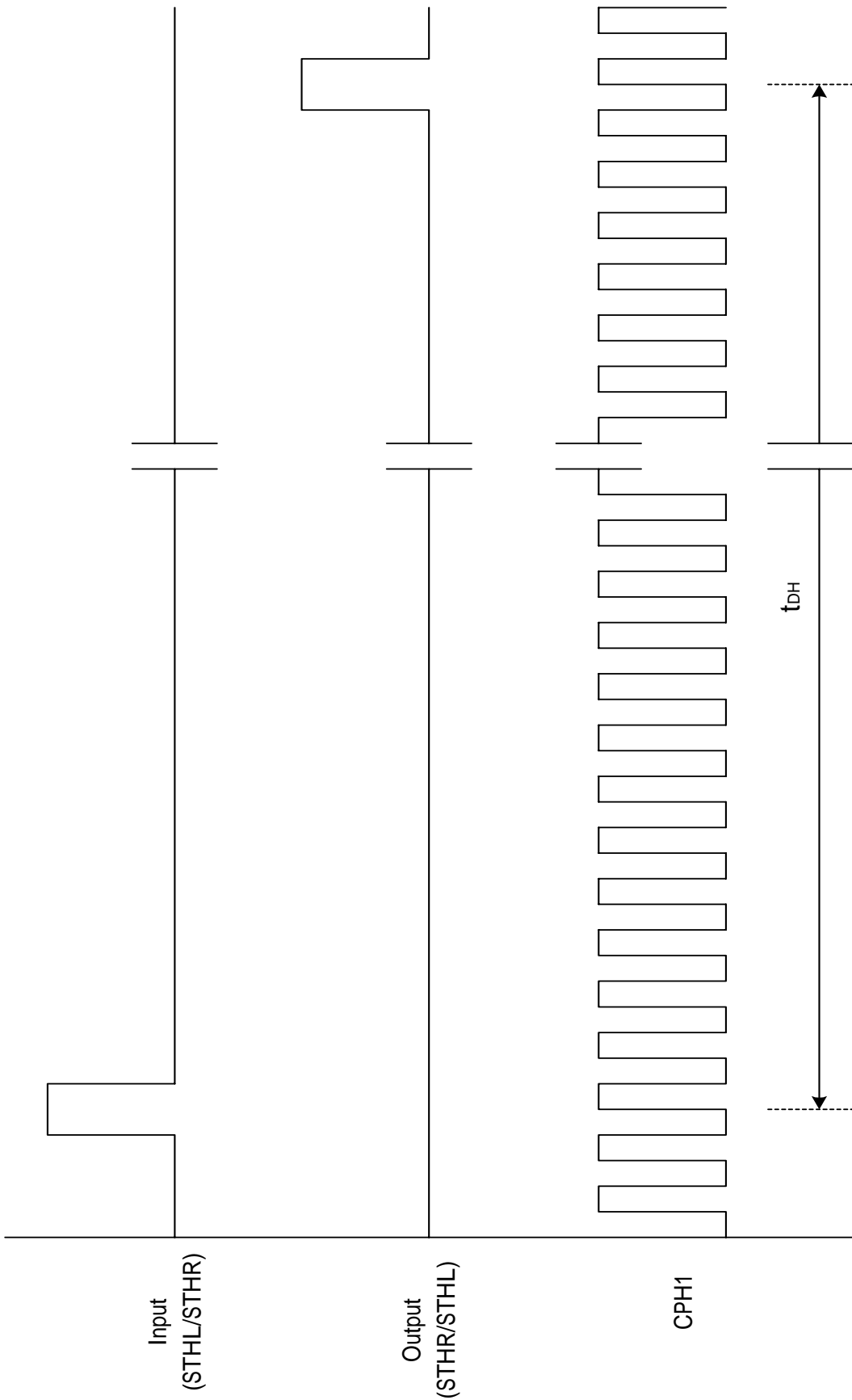


Fig. 8-2 Horizontal display timing range

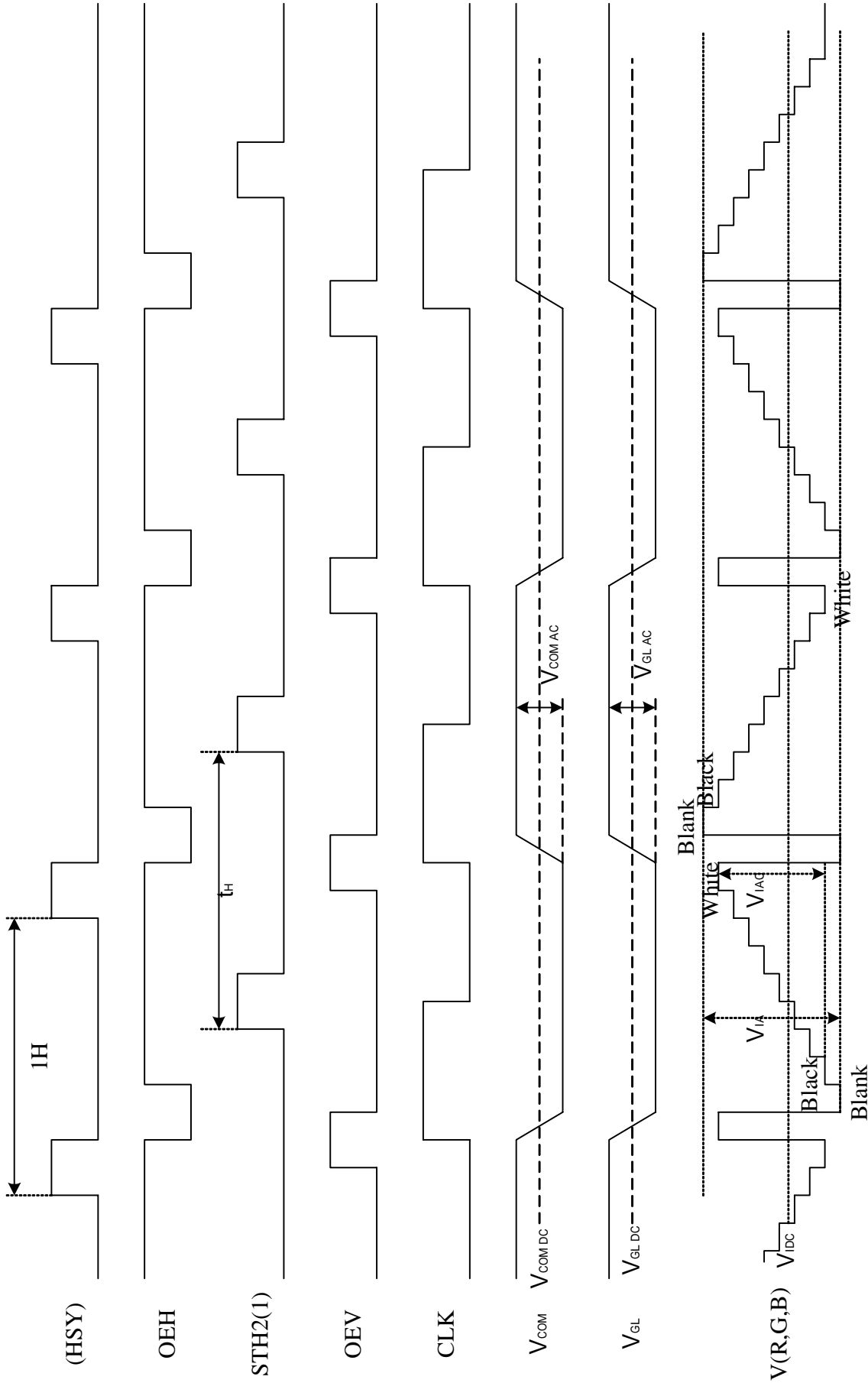
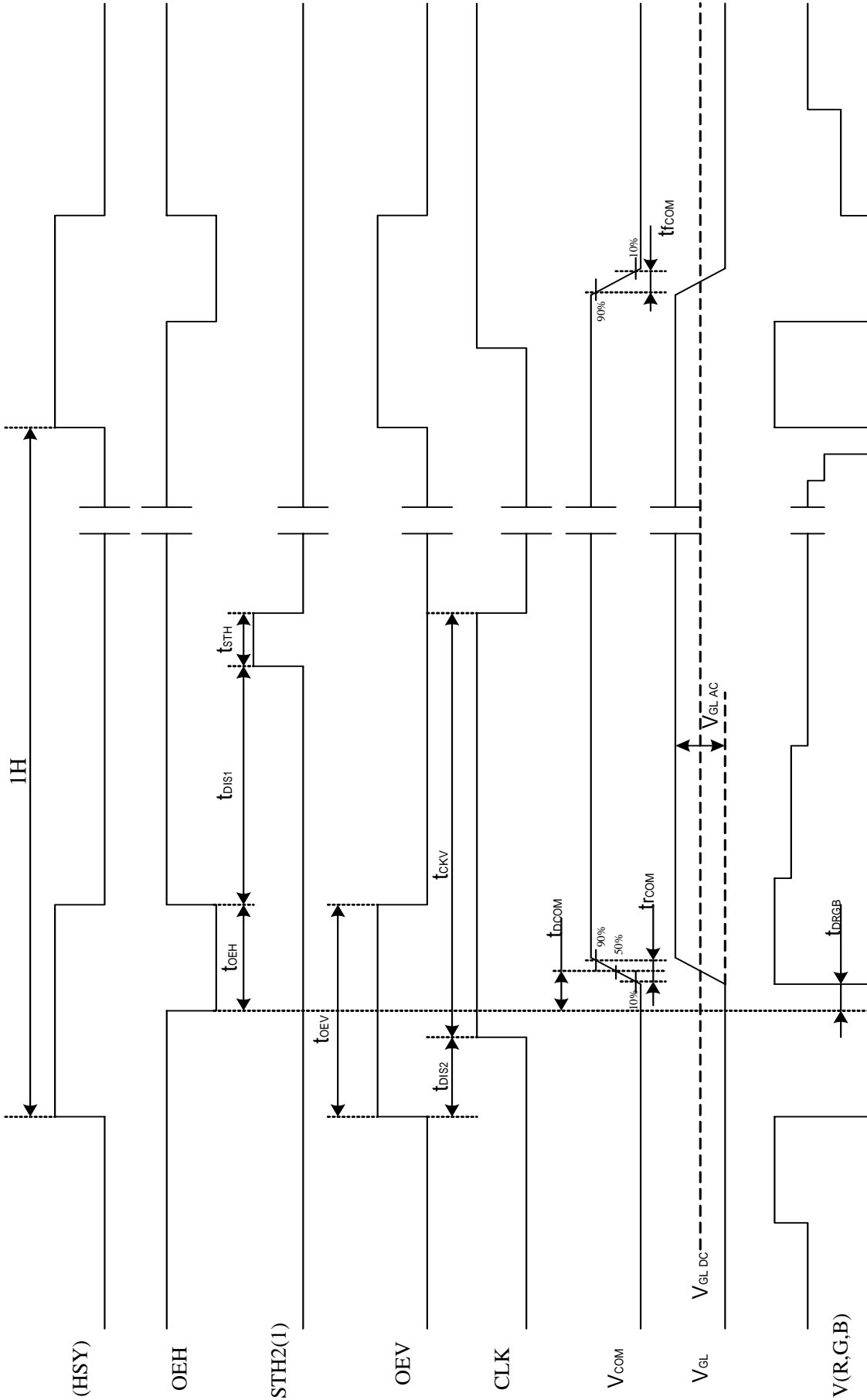


Fig. 8-3 (a) Horizontal timing



Note : The falling edge of OEV should be synchronized with the falling edge of OEH

Fig. 8-3 (b) Detail horizontal timing

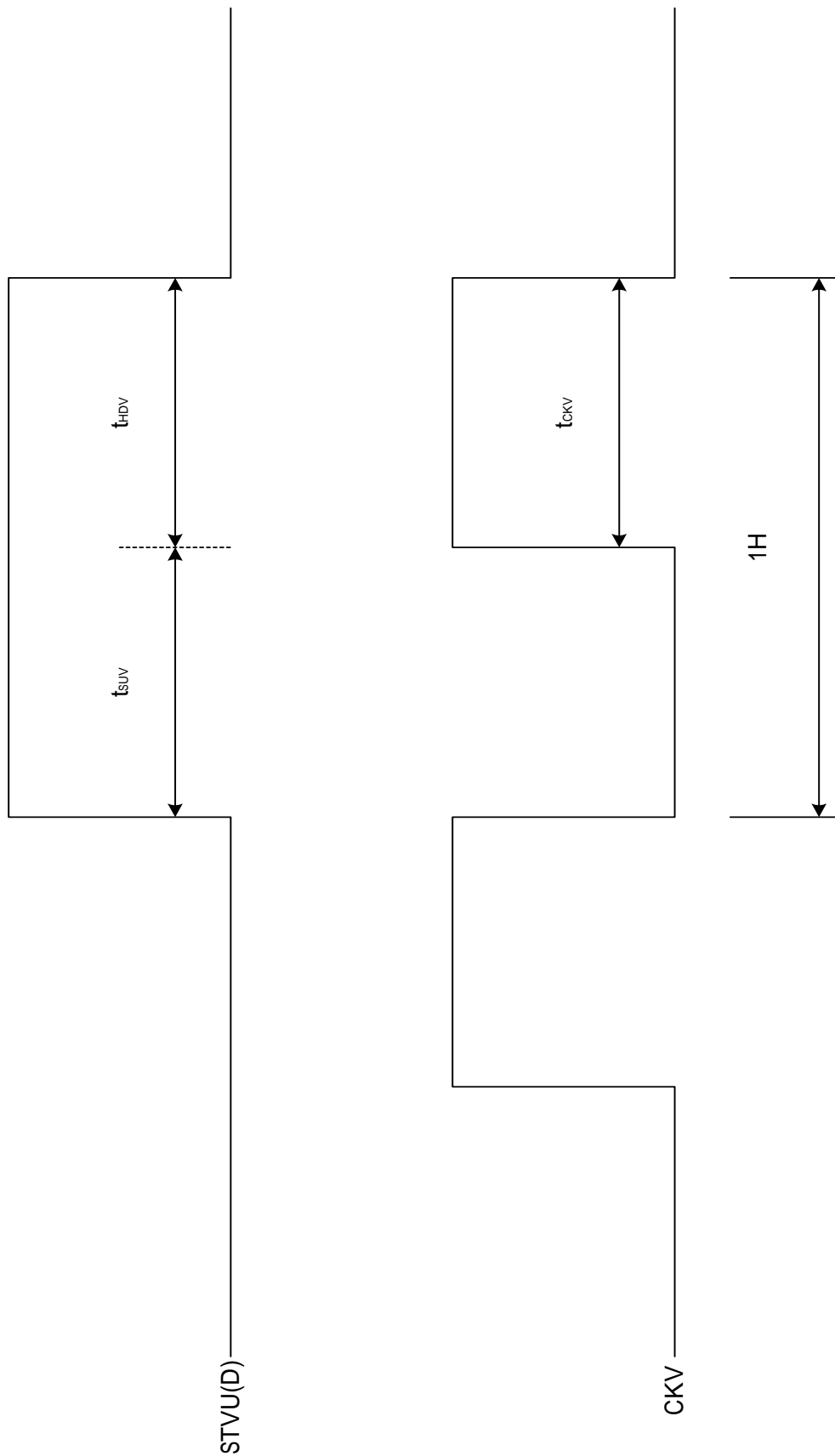


Fig. 8-4 Vertical shift clock timing

Vertical timing (From up to down)

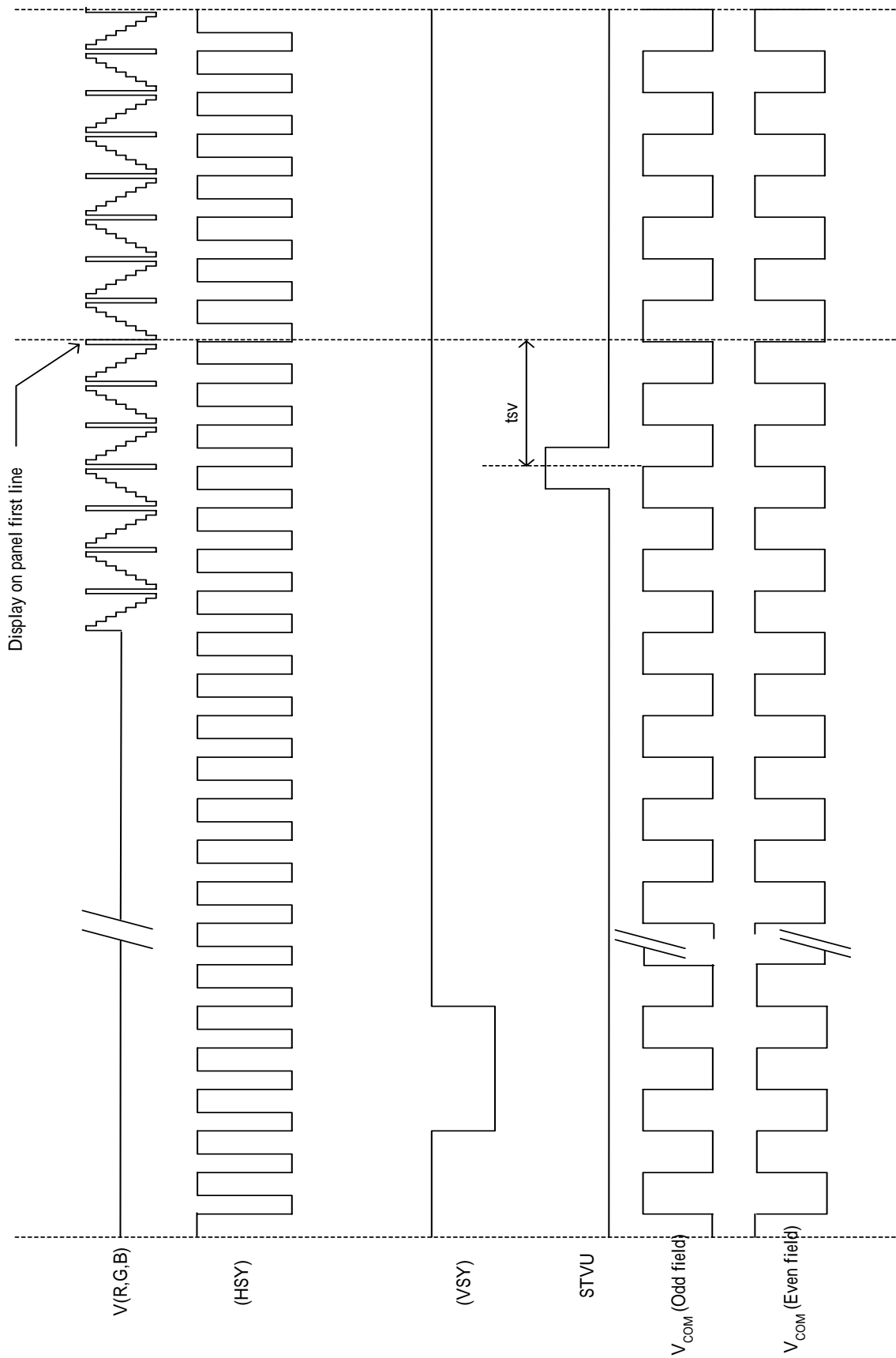


Fig. 8-5 (a) Vertical timing (From Up to Down)

Vertical timing (From down to up)

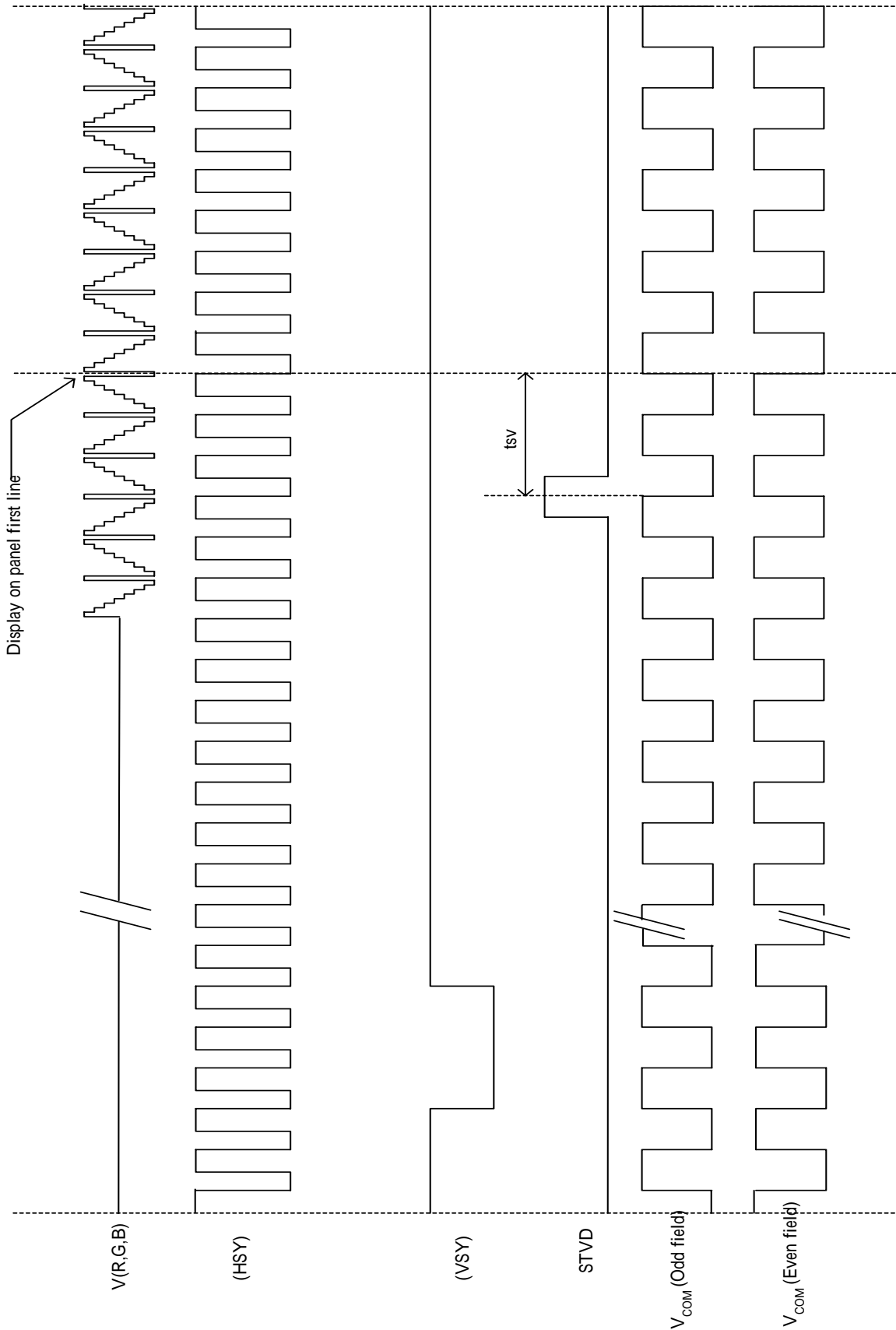
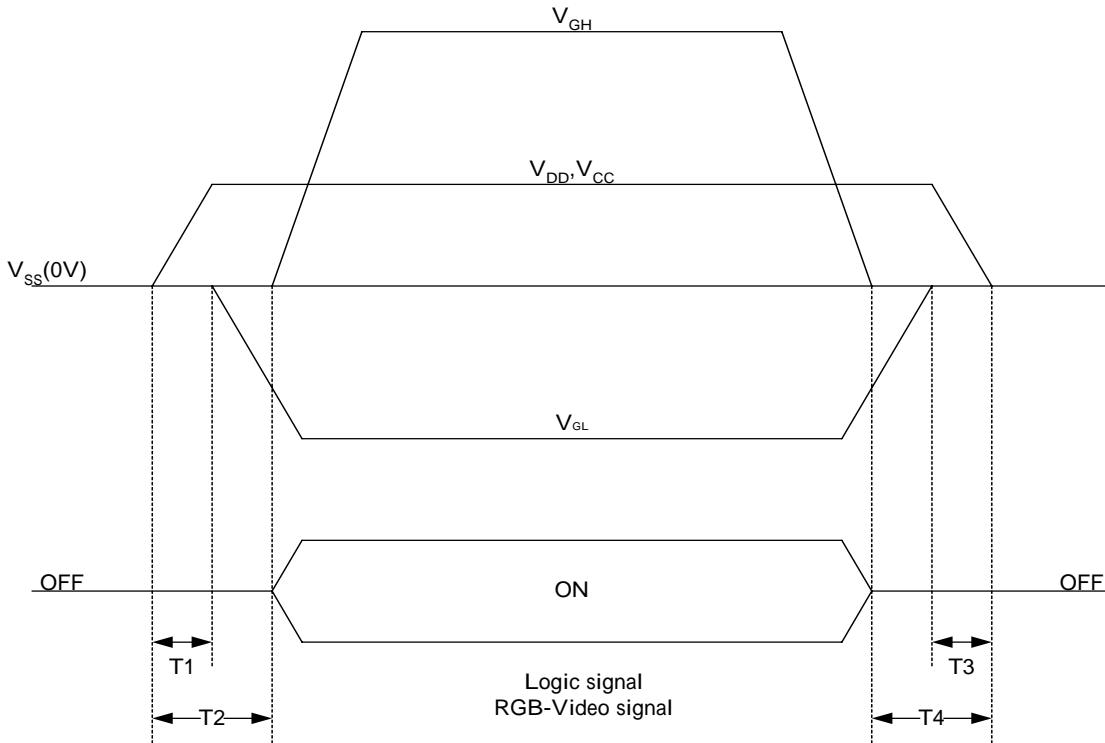


Fig. 8-5 (b) Vertical timing (From Down to Up)

9. Power on Sequence

The Power on Sequence only effect by V_{CC} , V_{SS} , V_{DD} , V_{GL} and V_{GH} , the others do not care.



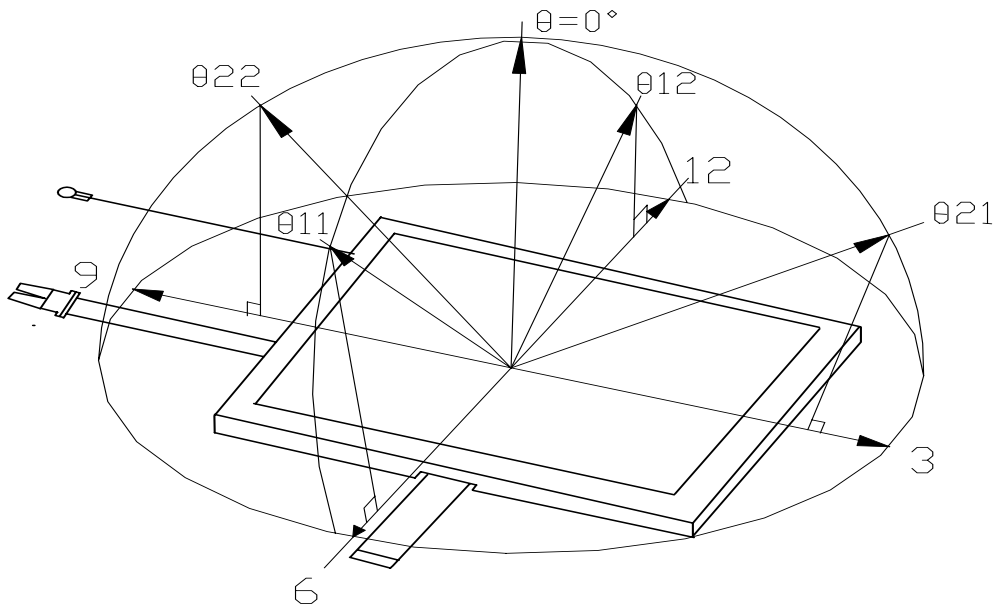
- 1) 10ms $T_1 < T_2$
- 2) 0ms $< T_3$ T_4 10ms

10. Optical Characteristics
10-1) Specification

$T_a = 25$

Parameter		Symbol	Condition	MIN.	TYP.	MAX.	Unit	Remarks
Viewing Angle	Horizontal	21, 22	CR 10	45	50	-	deg	Note 10-1
	Vertical	12		10	15	-	deg	
		11		30	35	-	deg	
Contrast Ratio		CR	At optimized Viewing angle	200	350	-		Note 10-2
Response time	Rise	T_r	$=0^\circ$	-	15	30	ms	Note 10-4
	Fall	T_f		-	25	50	ms	
Brightness		L	$=0^\circ$	300	350	-	cd/m^2	Note 10-3
White Chromaticity		x	$=0^\circ$	0.28	0.31	0.34		
		y		0.30	0.33	0.36		
Uniformity		U		60	75	-	%	Note 10-5
Lamp Life Time			+25	-	30000	-	hr	

Note 10-1 : The definitions of viewing angles



Note 10-2 : $CR = \frac{\text{Luminance when Testing point is White}}{\text{Luminance when Testing point is Black}}$

(Testing configuration see 8-2)

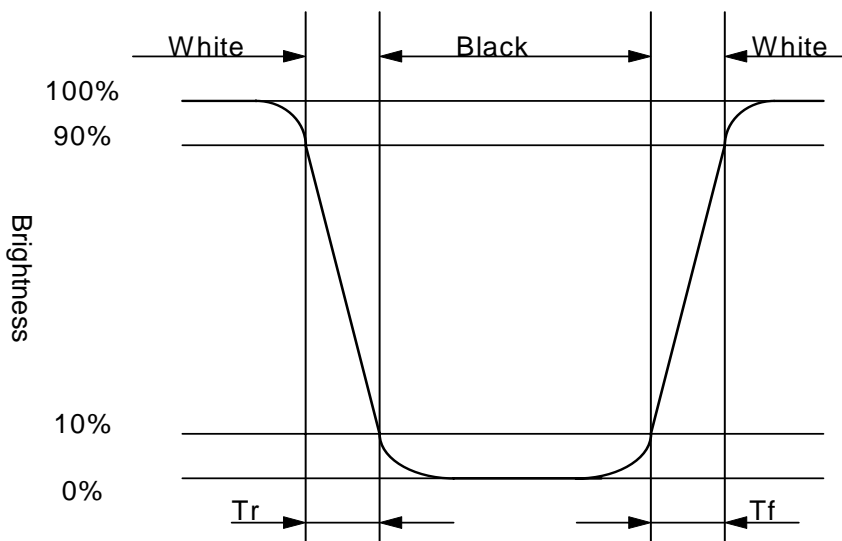
Contrast Ratio is measured in optimum common electrode voltage.

Note 10-3 : 1.Topcon BM-7(fast) luminance meter 1°field of view is used in the testing (after 20~30 minutes operation).

2.Lamp current : 6 mA

3.Inverter model : TDK-347.

Note 10-4 : The definition of response time:

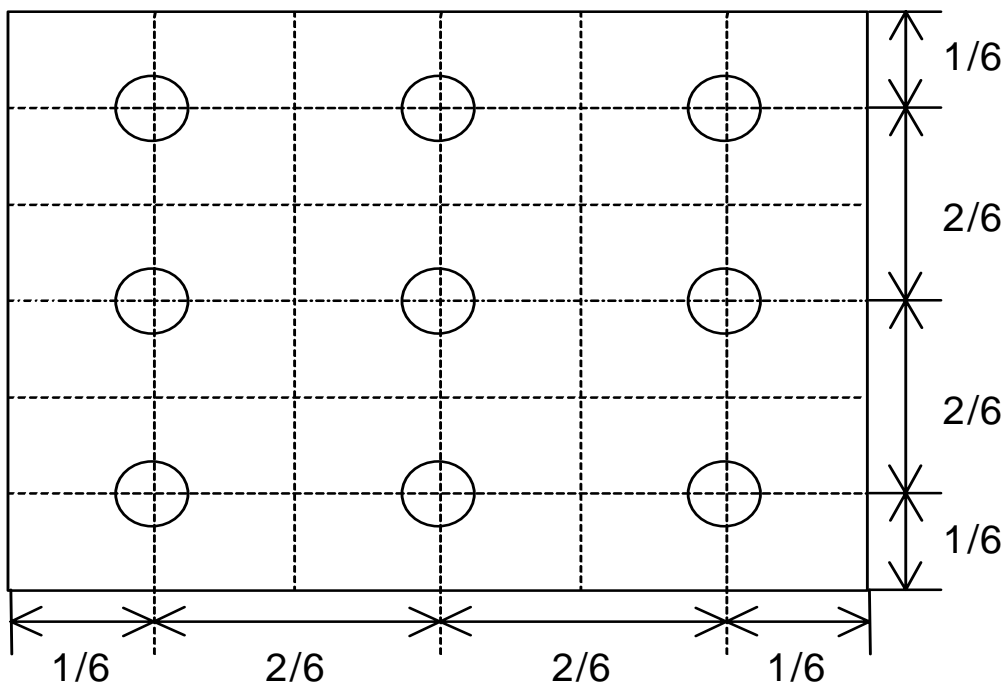


Note 10-5 : The uniformity of LCD is defined as

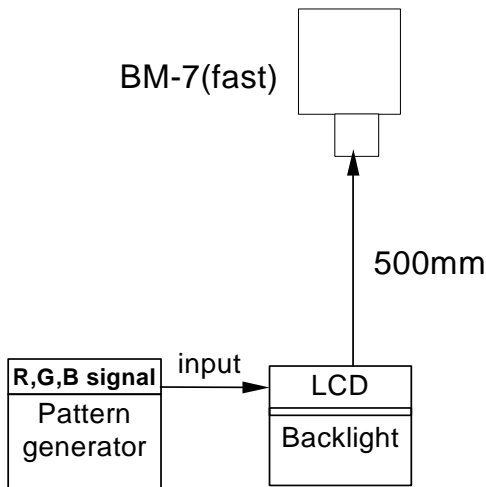
$$U = \frac{\text{The Minimum Brightness of the 9 testing Points}}{\text{The Maximum Brightness of the 9 testing Points}}$$

Luminance meter : BM-5A or BM-7 fast (TOPCON)
 Measurement distance : 500 mm +/- 50 mm
 Ambient illumination : < 1 Lux
 Measuring direction : Perpendicular to the surface of module

The test pattern is white (Gray Level 63).

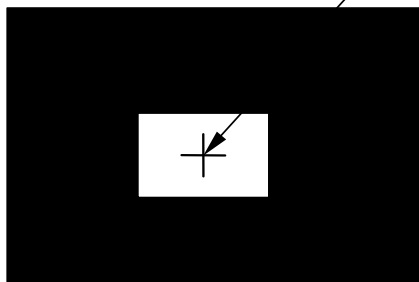


10-2) Testing configuration

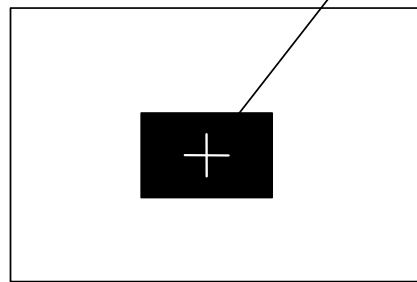


Caution: 1. Environmental illumination 1 lux
 2. Before test CR, Vcom voltage must be adjusted carefully to get the best CR.

- LCD Display Testing Point Testing Point

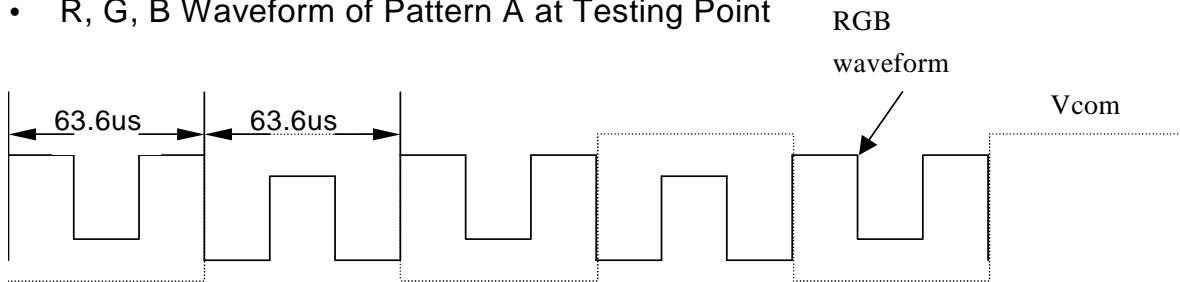


Pattern A

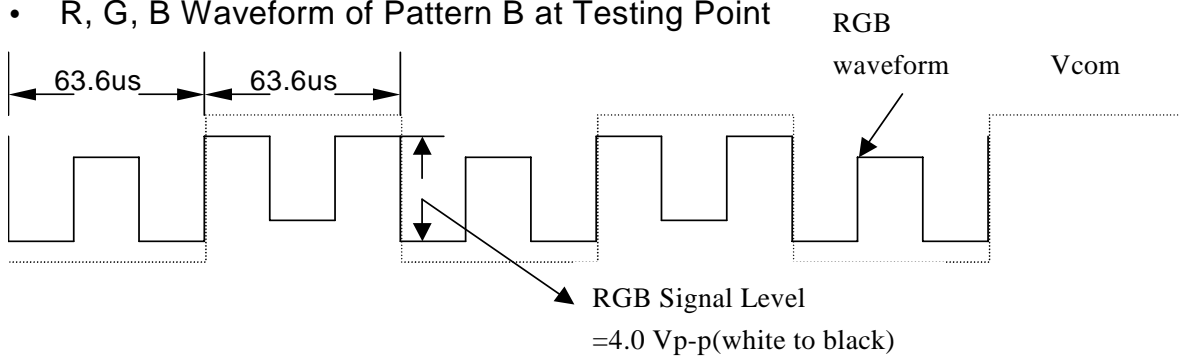


Pattern B

- R, G, B Waveform of Pattern A at Testing Point



- R, G, B Waveform of Pattern B at Testing Point



11. Handling Cautions

11-1) Mounting of module

- a) Please power off the module when you connect the input/output connector.
- b) Please connect the ground pattern of the inverter circuit surely. If the connection is not perfect, some following problems may happen possibly.
 - 1.The noise from the backlight unit will increase.
 - 2.The output from inverter circuit will be unstable.
 - 3.In some cases a part of module will heat.
- c) Polarizer which is made of soft material and susceptible to flaw must be handled carefully.
- d) Protective film (Laminator) is applied on surface to protect it against scratches and dirt. It is recommended to peel off the laminator before use and taking care of static electricity.

11-2) Precautions in mounting

- a) Wipe off water drops or finger grease immediately. Long contact with water may cause discoloration or spots.
- b) TFT-LCD module uses glass which breaks or cracks easily if dropped or bumped on hard surface. Please handle with care.
- c) Since CMOS LSI is used in the module. So take care of static electricity and earth yourself when handling.

11-3) Others

- a) Do not expose the module to direct sunlight or intensive ultraviolet rays for many hours.
- b) Store the module at a room temperature place.
- c) The voltage of beginning electric discharge may over the normal voltage because of leakage current from approach conductor by to draw lump read lead line around.
- d) If LCD panel breaks, it is possibly that the liquid crystal escapes from the panel.
Avoid putting it into eyes or mouth. When liquid crystal sticks on hands, clothes or feet.
Wash it out immediately with soap.
- e) Observe all other precautionary requirements in handling general electronic components.

12. Reliability Test

No.	Test Item	Test Condition
1	High Temperature Storage Test	Ta = +80 , 240 hrs
2	Low Temperature Storage Test	Ta = -30 , 240 hrs
3	High Temperature Operation Test	Ta = -80 , 240 hrs
4	Low Temperature Operation Test	Ta = -20 , 240 hrs
5	High Temperature & High Humidity Operation Test	Ta = +60 , 90%RH , 240 hrs
6	Thermal Cycling Test (non-operating)	-20 +70 , 200Cycles 30 min 30 min
7	Vibration Test (non-operating)	Frequency : 10 ~ 55 Hz Amplitude : 1 mm Sweep time : 11 mins Test Period : 6 Cycles for each direction of X, Y, Z
8	Shock Test (non-operating)	100G , 6ms Direction : ±X , ±Y , ±Z Cycle : 3 times
9	Electrostatic Discharge Test (non-operating)	200pF , 0 ±200V 1 time / each terminal

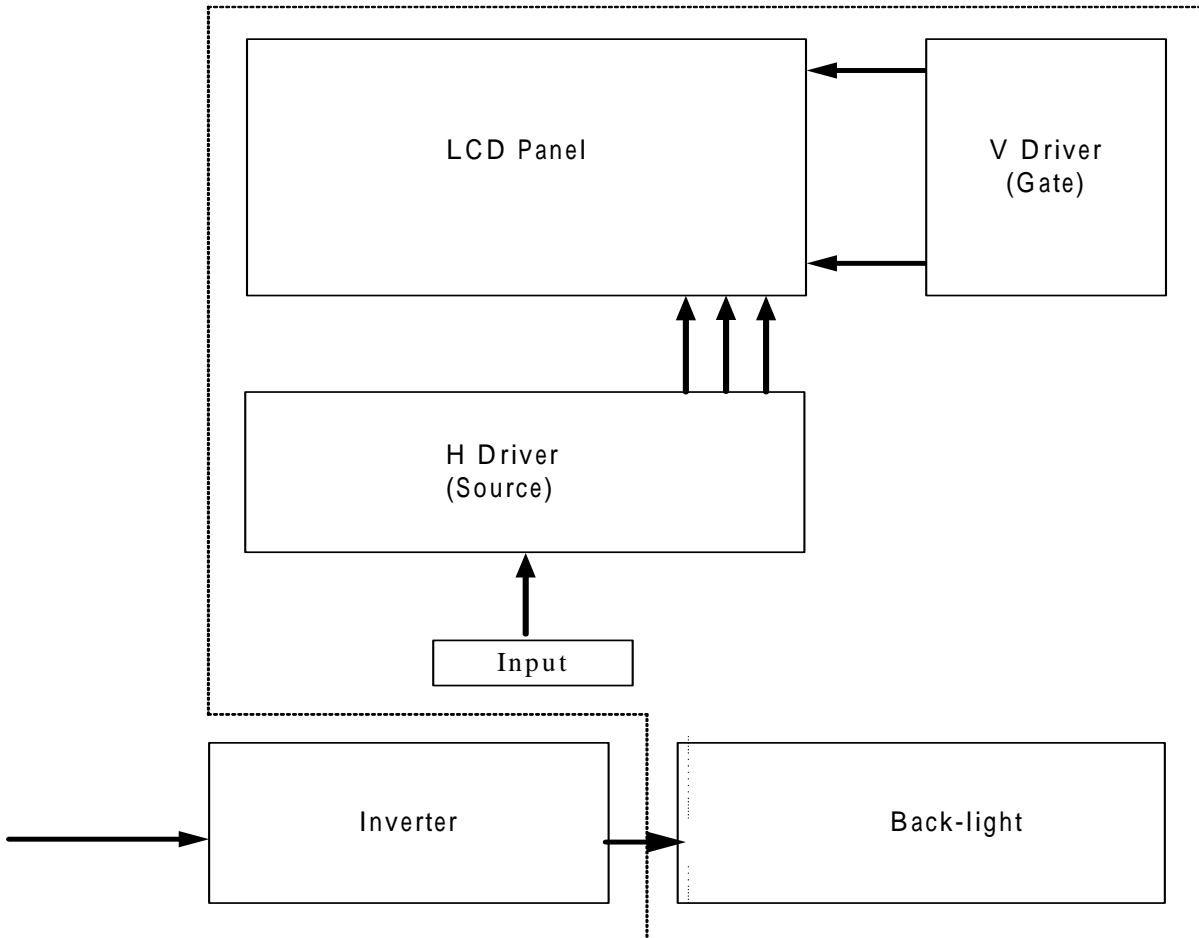
Ta: ambient temperature

Note : The protective film must be removed before temperature test.

[Criteria]

Under the display quality test conditions with normal operation state, there should be no change which may affect practical display function.

13. Block Diagram



14. Packing

ZONE	REV.	DOCUMENT NO.	DESCRIPTION	DATE	REV.BY																									
<p>NOTE: 1.QTY: 40 pcs panel/carton. 2.Dimension: 530*295*230mm 3.Weight: 10 Kg</p>																														
		<table border="1" style="width:100%; border-collapse: collapse;"> <thead> <tr> <th>ITEM</th> <th>PART NO.</th> <th>DESCRIPTION</th> <th>QTY</th> <th>REMARK</th> </tr> </thead> <tbody> <tr> <td>4</td> <td>50-010011</td> <td>CARTON</td> <td>1</td> <td></td> </tr> <tr> <td>3</td> <td>50-0500091</td> <td>PINK Bag 190*105mm</td> <td>40</td> <td>抗靜電</td> </tr> <tr> <td>2</td> <td></td> <td>6.2" Panel</td> <td>40</td> <td></td> </tr> <tr> <td>1</td> <td>50-0300791</td> <td>瓦楞隔板緩衝材</td> <td>1</td> <td>上蓋+ 底座</td> </tr> </tbody> </table>		ITEM	PART NO.	DESCRIPTION	QTY	REMARK	4	50-010011	CARTON	1		3	50-0500091	PINK Bag 190*105mm	40	抗靜電	2		6.2" Panel	40		1	50-0300791	瓦楞隔板緩衝材	1	上蓋+ 底座		
ITEM	PART NO.	DESCRIPTION	QTY	REMARK																										
4	50-010011	CARTON	1																											
3	50-0500091	PINK Bag 190*105mm	40	抗靜電																										
2		6.2" Panel	40																											
1	50-0300791	瓦楞隔板緩衝材	1	上蓋+ 底座																										
MTL.SPEC.		UNSPECIFIED TOL'S		REMARK																										
		ANGLE																												
		ROUGHNESS																												
APPROVE	Franks	'05.03.14	SCALE	UNIT	SHEET																									
CHECK	Franks	'05.03.14			1 OF 1																									
DRAWN	Jimmyc	'05.03.14	MTL.NO.		DWG.TITLE																									
			DWG FILE:		REV. 01																									
					A4 SIZE																									

Revision History

Rev.	Issued Date	Revised Contents
0.1	Aug 22, 2005	Preliminary
1.0	Sep 22, 2005	Release version
1.1	Oct 06, 2005	Modify Page4 : 4.Mechanical Drawing of TFT-LCD Module
1.2	Oct 07, 2005	Modify Page22 : 12.Reliability Test HTST : +70 LTST : -20 LTOT : 0 Change HTST : +80 LTST : -30 HTOT : -80 LTOT : -20 Add Page4 : 4.Mechanical Drawing of TFT-LCD Module a.Ground line length b.Screw size M2*2.0mm